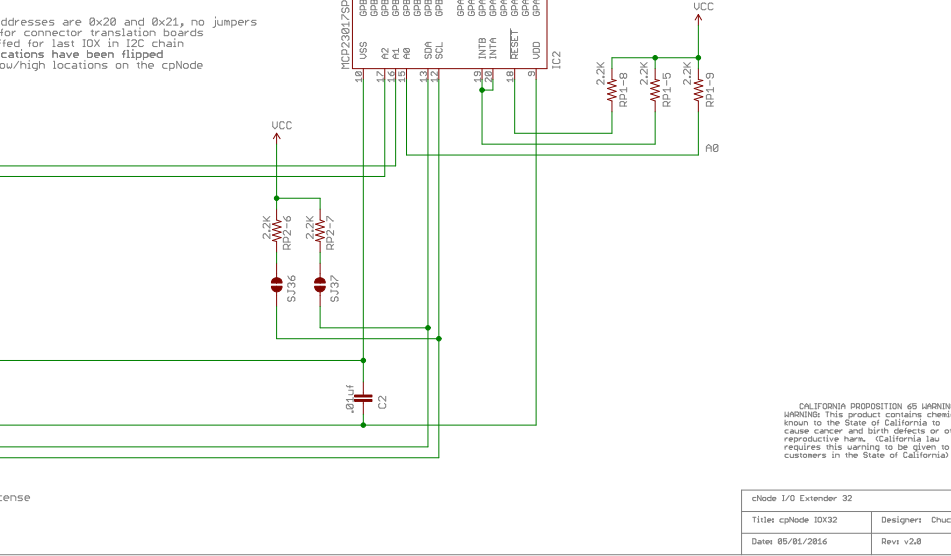
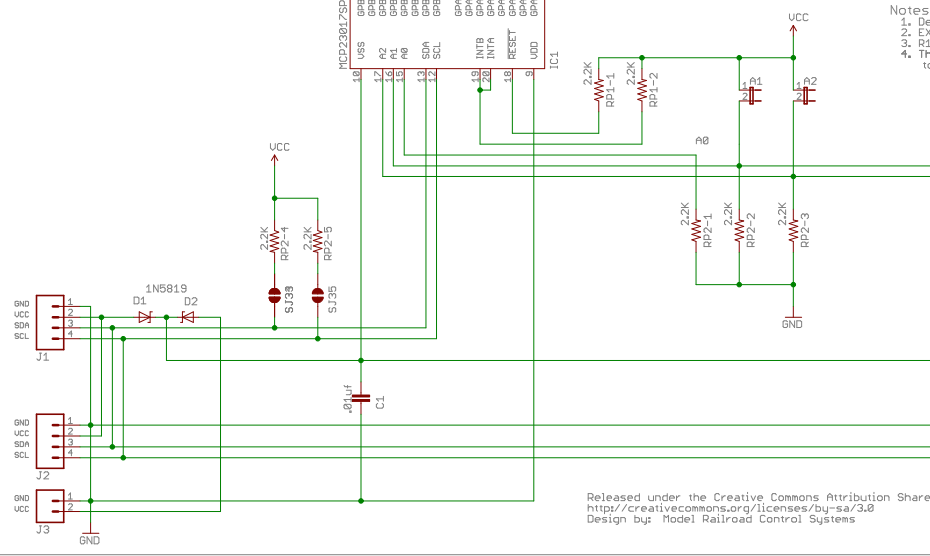


Notes:
 1. Default board addresses are 0x20 and 0x21, no jumpers
 2. EXT5V, EXT5V1 for connector translation boards
 3. R2, R3/4 stuffed for last I/OX in I2C chain
 The I/O port locations have been flipped to follow the low/high locations on the cpNode



Released under the Creative Commons Attribution Share-Alike 3.0 License
<http://creativecommons.org/licenses/by-sa/3.0>
 Design by: Model Railroad Control Systems

CALIFORNIA PROPOSITION 65 WARNING
 WARNING: This product contains chemicals known to the State of California to cause cancer and birth defects or other reproductive harm. California law requires this warning to be given to customers in the State of California.

| | |
|------------------------|-------------------------|
| chNode I/O Extender 32 | |
| Title: cpNode IOX32 | Designer: Chuck Catania |
| Date: 05/01/2016 | Rev: v2.0 |