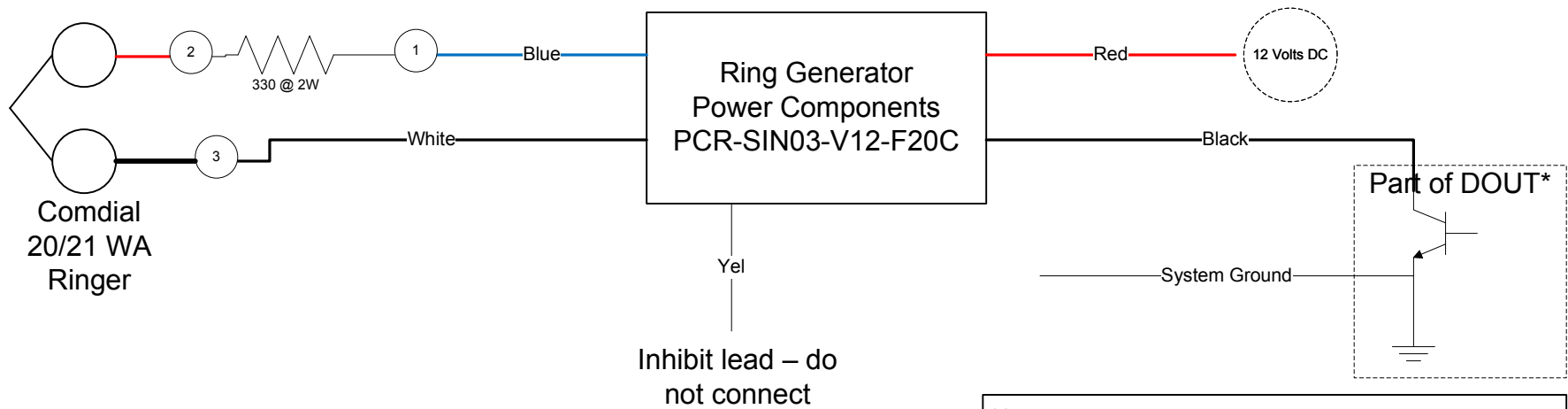


## Bell and Ring Generator



\* This diagram shows a 2N4401 or equivalent (2N2222, 2N3904) NPN transistor but a relay or push button can be used instead.

### Notes:

- 1) Quiescent current draw of generator is 75mA, it draws 135 mA running into a C4A type ringer (3650 ohms).
- 2) terminal numbers refer to a suggested 6 position barrier strip
- 3) Resistor is to protect generator in case of a short – may not be needed inside a bell box
- 4) Inhibit lead is not used in this application. If the inhibit lead is connected to >3V reference the black wire, ringing is inhibited. This would be useful for using a logic output (say from an Arduino) to gate ringing.