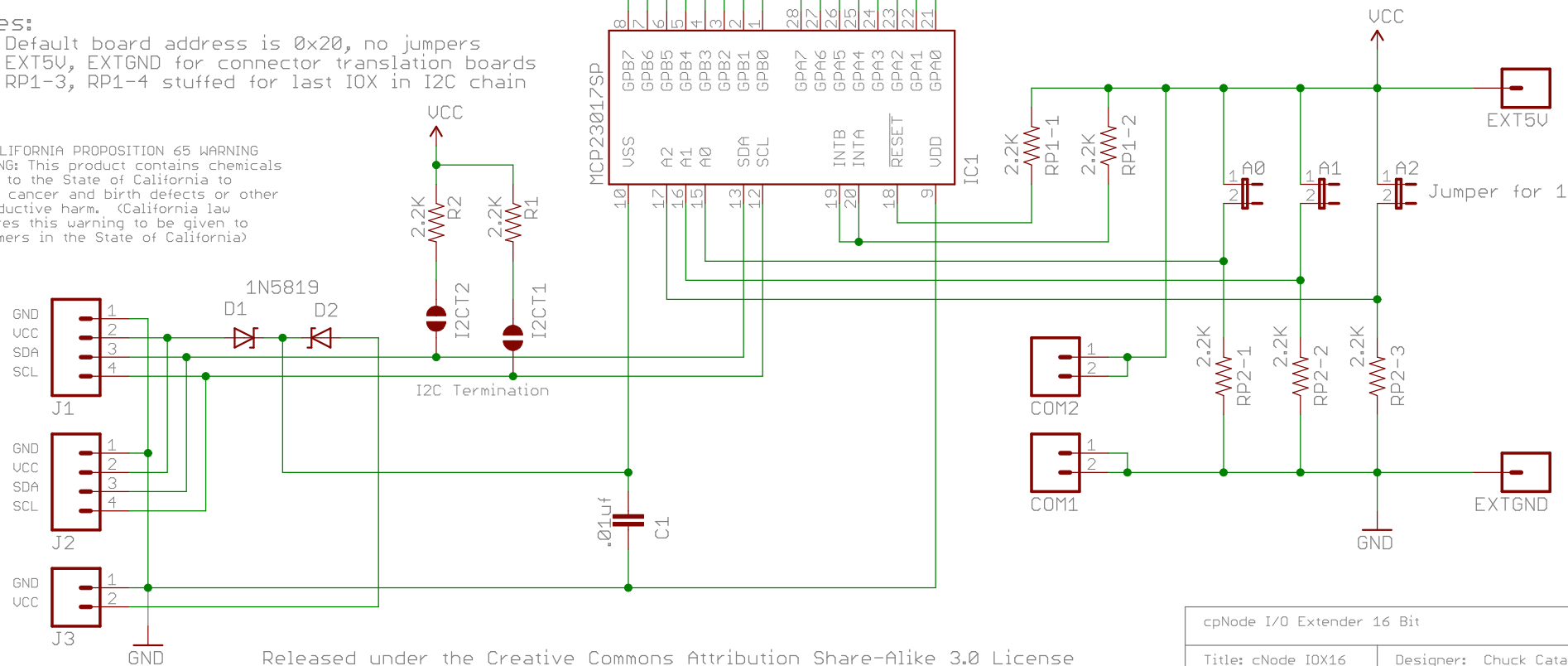


**Notes:**

1. Default board address is 0x20, no jumpers
2. EXT5V, EXTGND for connector translation boards
3. RP1-3, RP1-4 stuffed for last IOX in I2C chain

CALIFORNIA PROPOSITION 65 WARNING  
 WARNING: This product contains chemicals known to the State of California to cause cancer and birth defects or other reproductive harm. (California law requires this warning to be given to customers in the State of California)



Released under the Creative Commons Attribution Share-Alike 3.0 License  
<http://creativecommons.org/licenses/by-sa/3.0>  
 Design by: Model Railroad Control Systems

cpNode I/O Extender 16 Bit	
Title: cNode IOX16	Designer: Chuck Catania
Date: 05/01/2016	Rev: v2.0