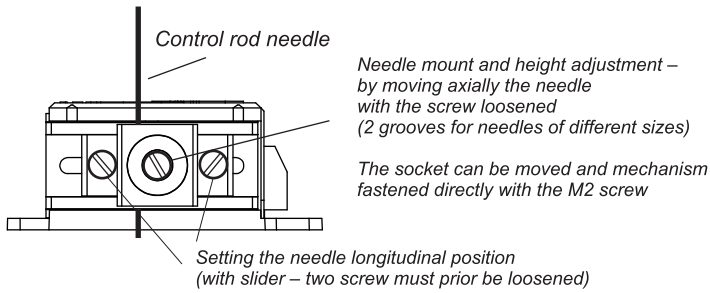


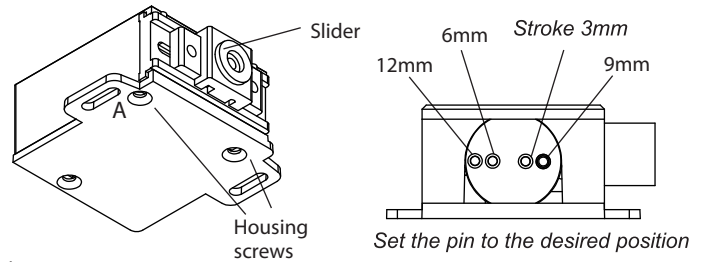
MP8 Advanced motor switch- with pulse control



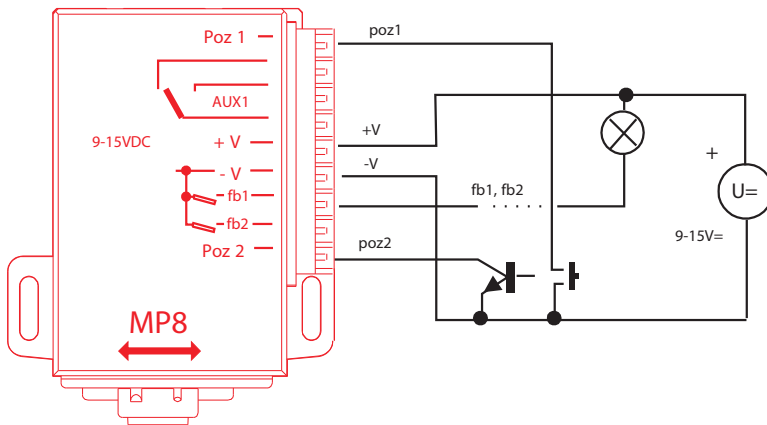
The MP8 switch motor is used for operation of two-position mechanisms, such as turnout points or mechanical signals and barriers. The stroke travel distance can be set in four increments: 3mm, 6mm, 9mm, and 12mm; See illustration. The power required is DC 9-16V (only), current draw is approx. 150mA during operation. The power supply must be permanently connected. Control signals pos1, pos2 can be switched pulsed (min pulse length 10ms), the switch completes the movement to the end position, after which the motor is automatically stopped. For auxiliary purposes, (frog power, etc.) it is equipped with one 1Amp switched contact. Feedback contacts fb1 and fb2 can be used for position indication.



How to change the distance of travel



- steps
- Unscrew 2 screws on the housing bottom
 - Remove the slider assembly
 - Set the pin to a desired position
 - Place the slider back and close the housing.



Connection schematics

The power +/-V has to be connected permanently. MP8 can be initiated by mechanical contact or by NPN signal transistor, the pos1/2 signal sink current is 16mA.

Connector signals

+V,-V - power supply DC 10-16V, permanently connected
AUX1 - auxiliary switch contact

poz1, poz2 - pulse control of movement
fb1, fb2 - feedback contact.

position poz1 is indicated by contact fb1
position poz2 is indicated by contact fb2

Model repairs

The warranty is applicable to defects in manufacture only. The product is intended for use at your home only in models, not within commercial or industrial applications. Warranty repairs can be claimed with the manufacturer and/or through a vendor. For contact details visit www.mtb-model.com. Return the product to a electro-wastes collecting point at the end of its life! Manufacturer: MTB, Segala group s.r.o. Prague 10 Czech rep.

www.mtb-model.com



0508131115
MP8 v1r1 2025-03